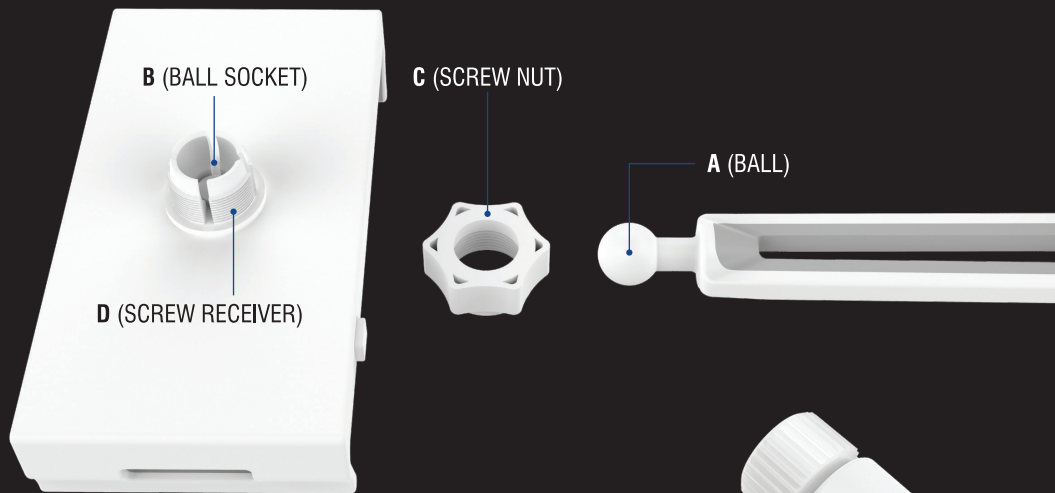


ADJUSTABLE HOLDER FOR TABLETS AND PHONES

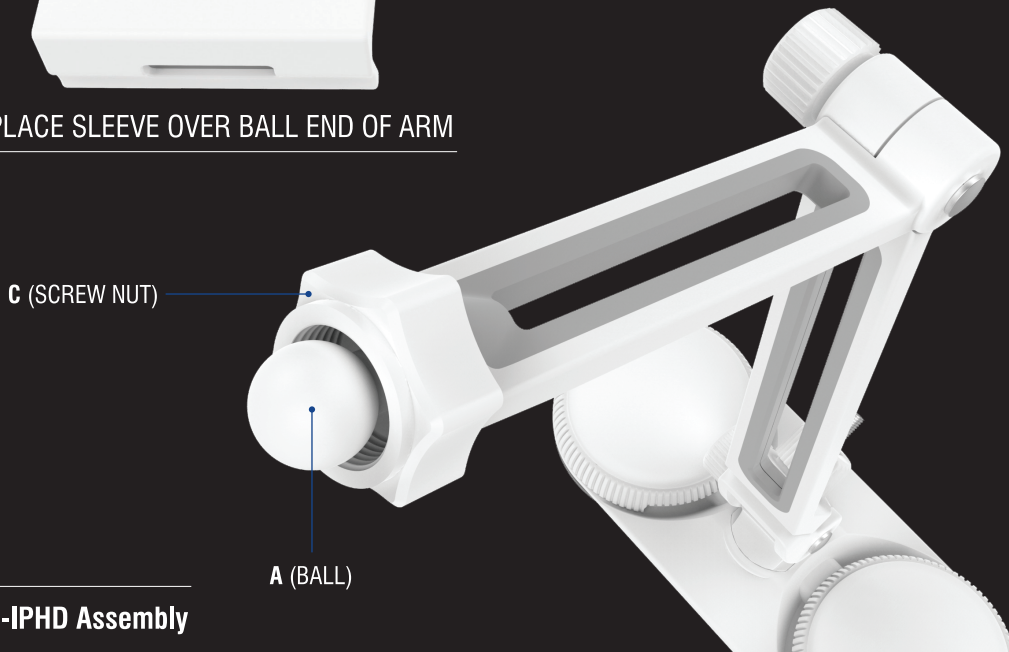


CM-IPDH Assembly

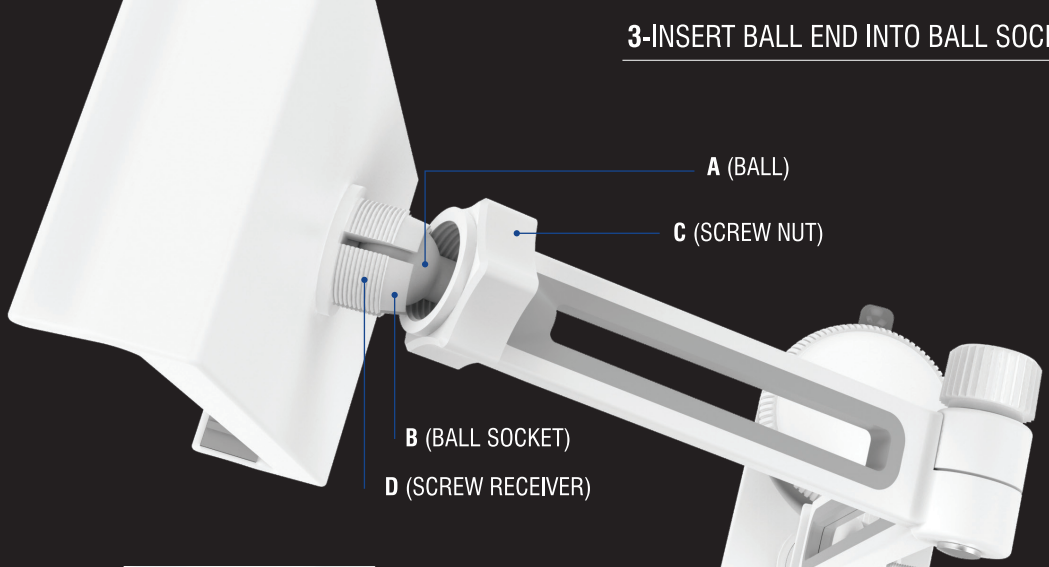
1-REMOVE ALL PARTS FROM THE PACKAGE



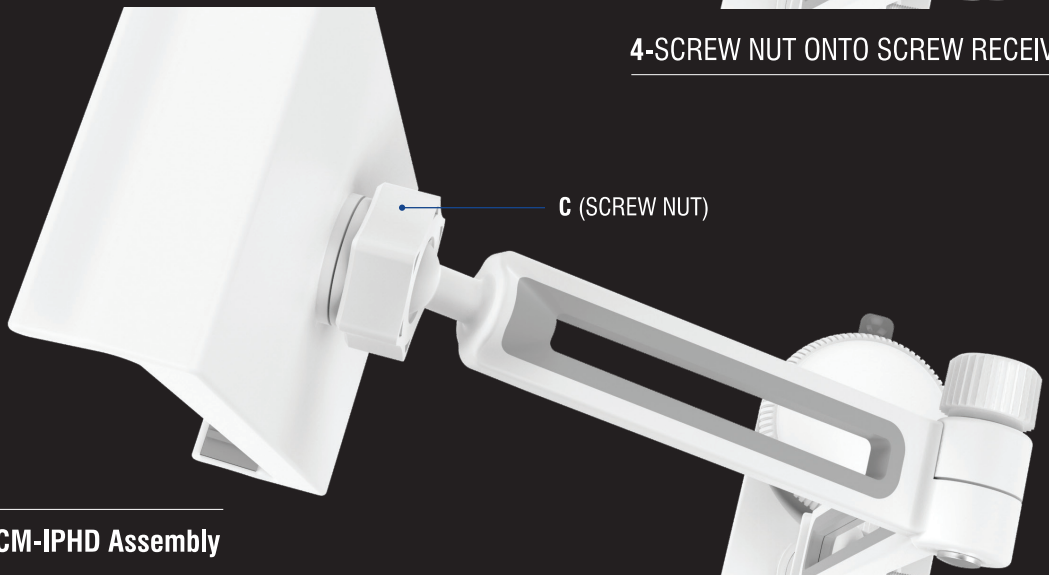
2-PLACE SLEEVE OVER BALL END OF ARM



3-INSERT BALL END INTO BALL SOCKET



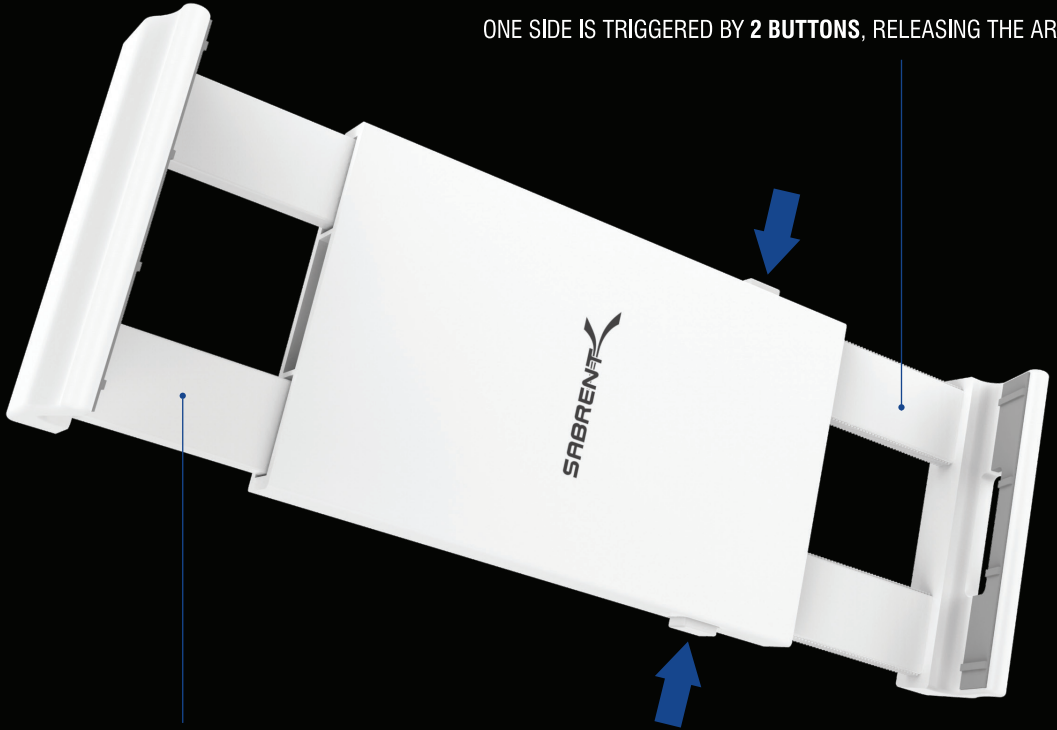
4-SCREW NUT ONTO SCREW RECEIVER



THE HOLDER HAS 2 DIFFERENT MECHANISMS

Supports most devices up to 10"

ONE SIDE IS TRIGGERED BY 2 **BUTTONS**, RELEASING THE ARM



THE OTHER SIDE IS **SPRING LOADED**
ALLOWING YOU TO GET THE PERFECT FIT FOR YOUR DEVICE

SABRENT

sales@sabrent.com

sabrent.com